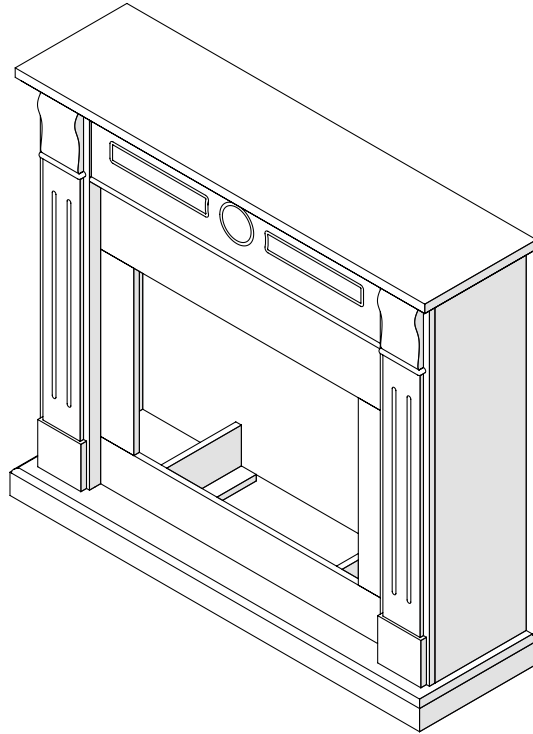


FIREPLACE MANTEL

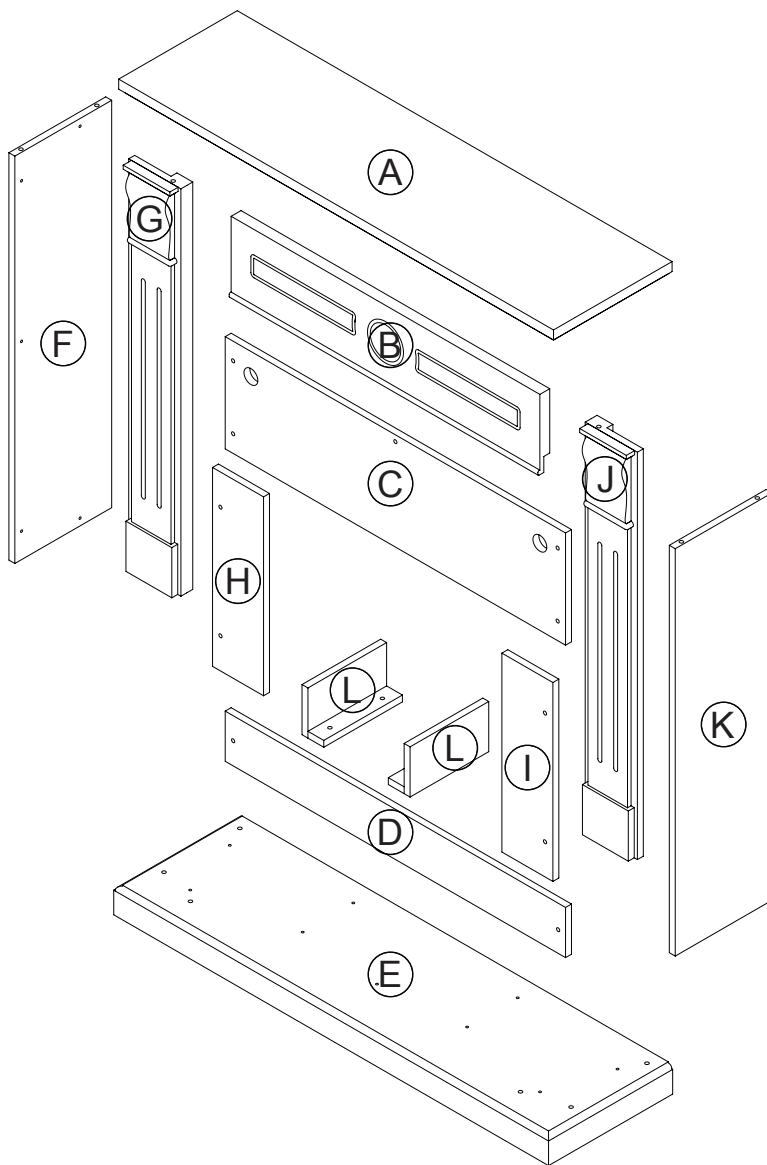
ASSEMBLY INSTRUCTIONS

MT119C



**If you have a problem with this product, DO NOT RETURN.
Call our customer service, Tel: or
Email:**

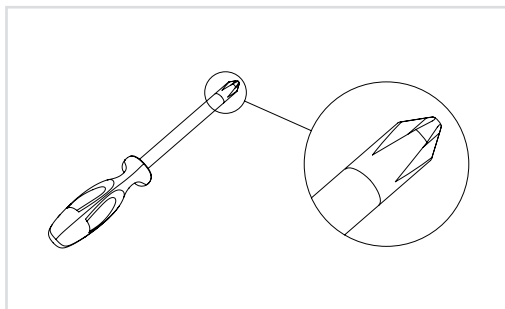
PARTS LIST


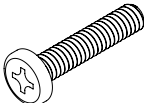
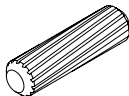

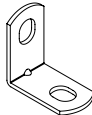
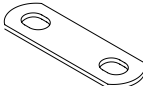
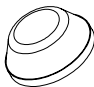


PARTS AND ACCESSORIES

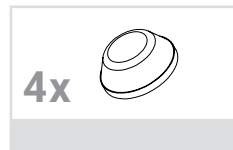
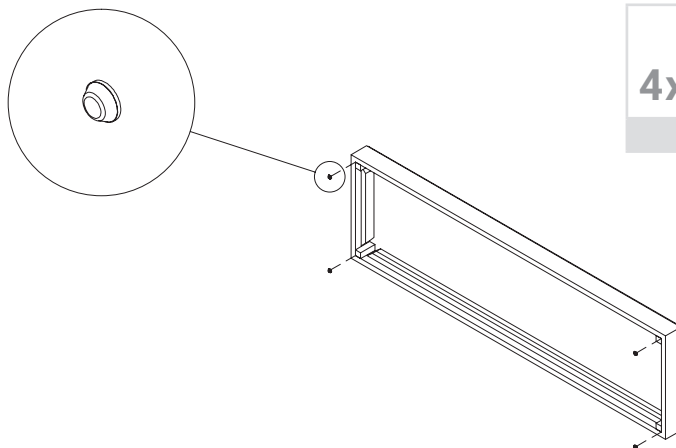
Tools required:

A screwdriver will be needed.



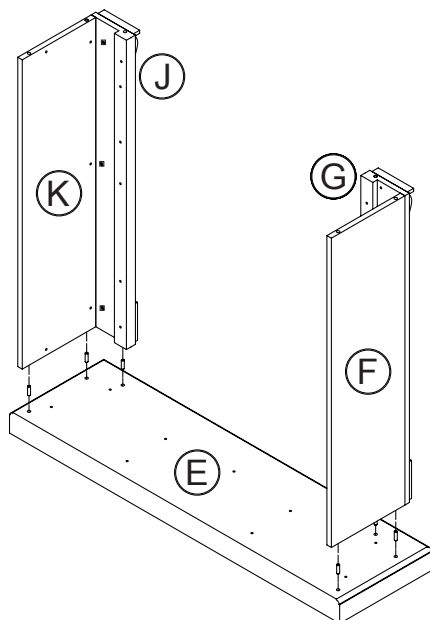
47x  M6 x 12 mm	16x  M6 x 30 mm	13x  Φ 8 x 30 mm
16x 	18x 	7x 
4x 		

01

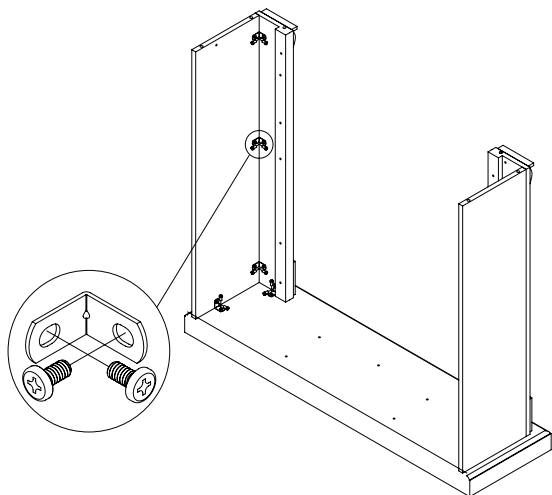


Carry out this assembly step on both sides

02



03



20x



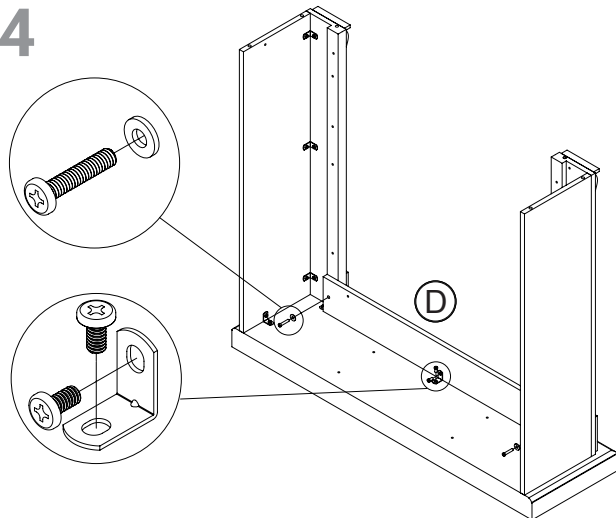
M6 x 12 mm

10x



Carry out this assembly step on both sides

04



2x



M6 x 12 mm

2x



M6 x 30 mm

2x

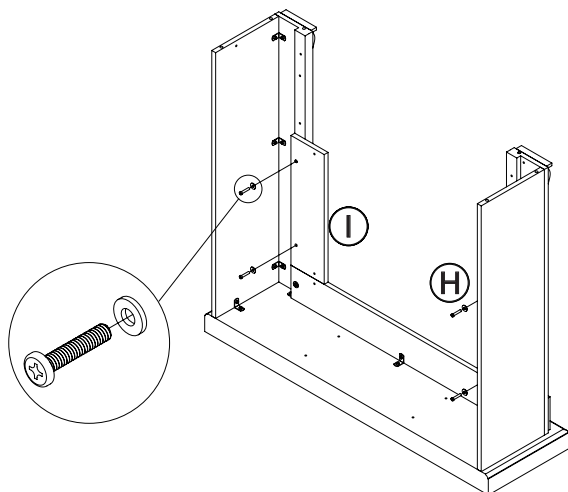




1x



Carry out this assembly step on both sides

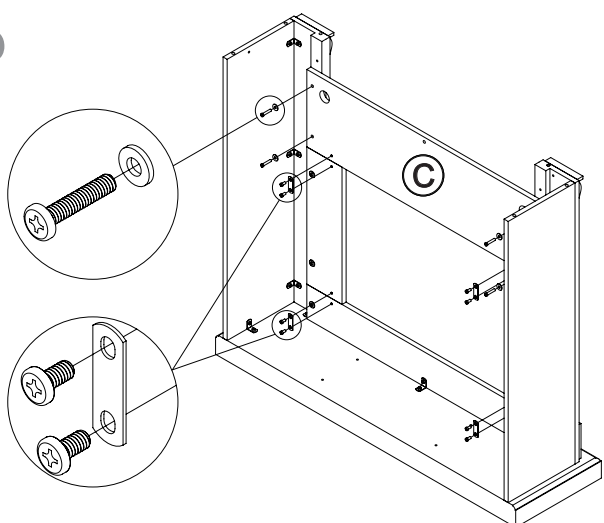
05


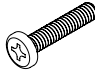

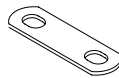


- 4x  M6 x 30 mm
- 4x 

Carry out this assembly step on both sides

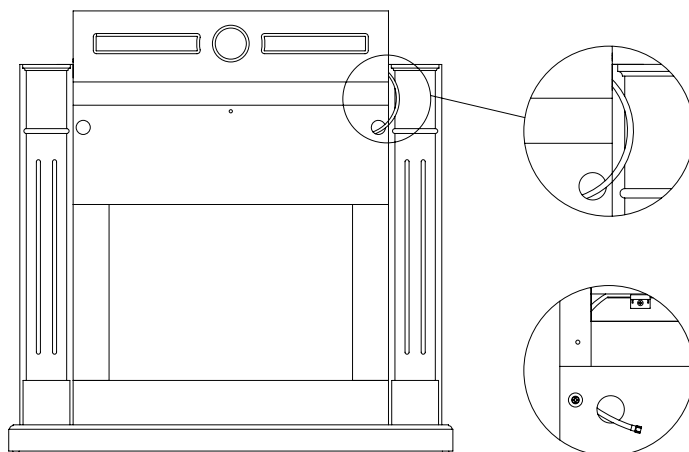
06



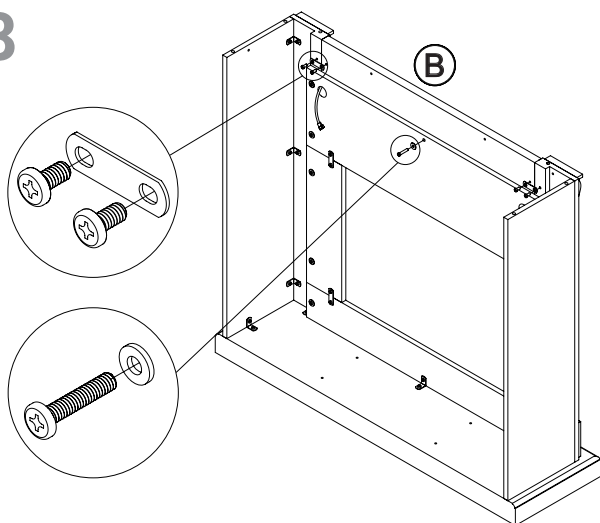
- 8x  M6 x 12 mm
- 4x  M6 x 30 mm
- 4x 
- 4x 

Carry out this assembly step on both sides

07



08



4x



M6 x 12 mm

1x

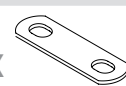


M6 x 30 mm

1x

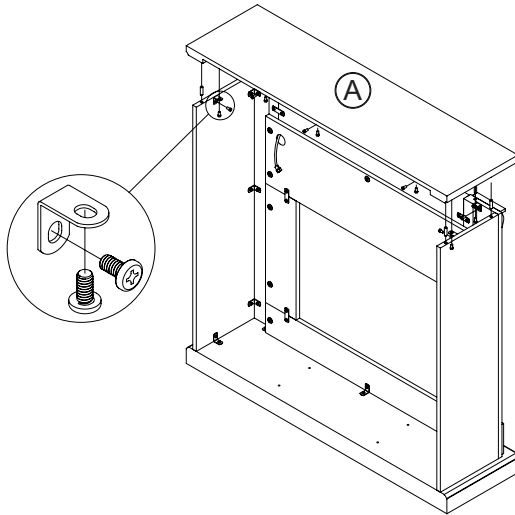


2x



Carry out this assembly step on both sides

09

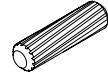


12x



M6 x 12 mm

6x



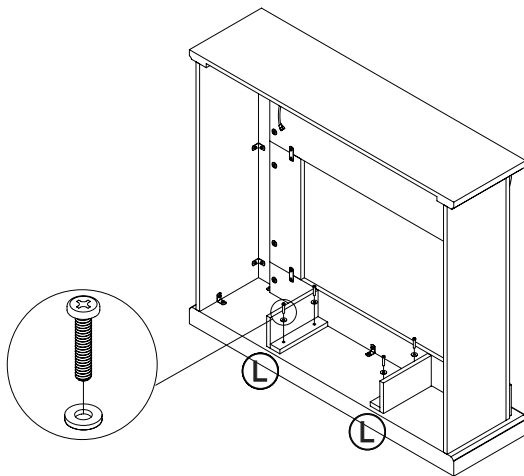
Φ 8 x 30 mm

6x

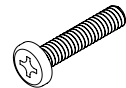


Carry out this assembly step on both sides

10



4x



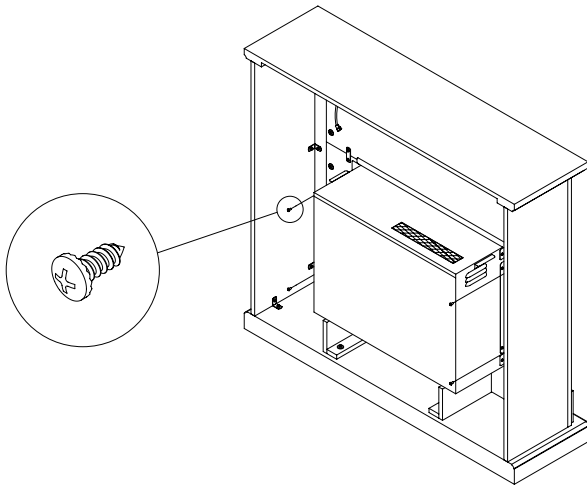
M6 x 30 mm

4x



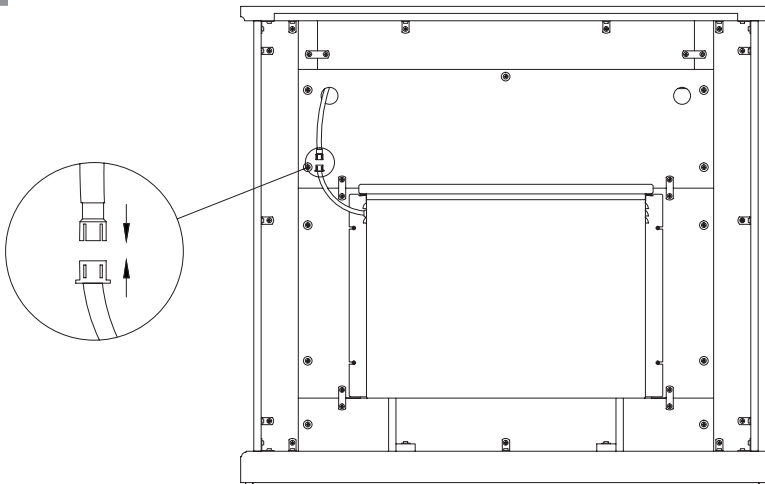
Carry out this assembly step on both sides

11



Carry out this assembly step on both sides

12



Distributor:

E-mail :
